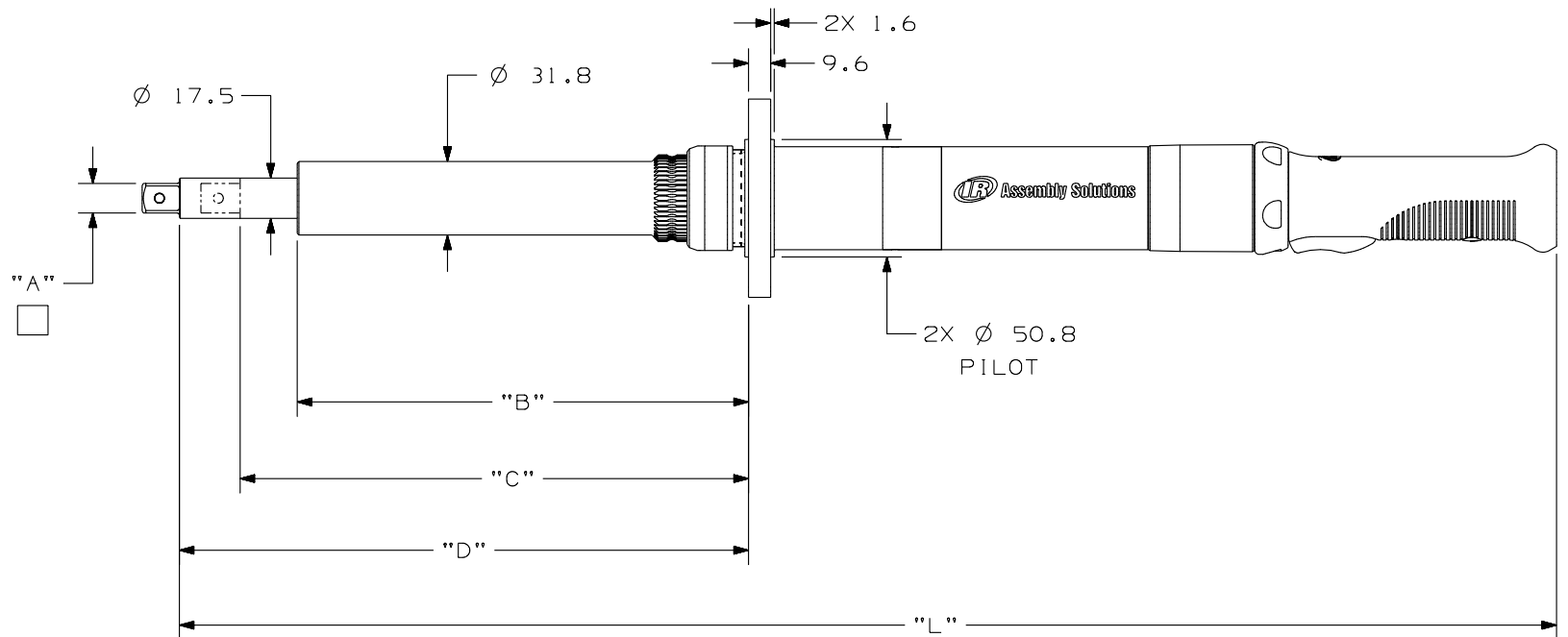
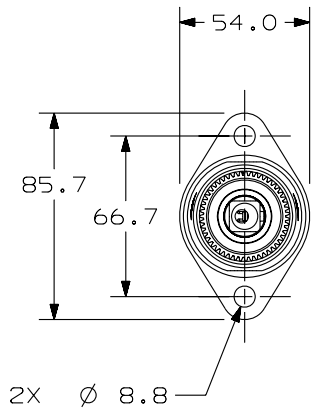


QE6ST020F( IS[ ]  
 QE6ST028F( IS[ ]  
 QE6ST033F( IS[ ]  
 QE6ST050F( IS[ ]


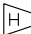
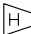
MODEL NO.	"A" □	"B"	"C"	"D"	"L"
41S06	$\nabla$ 3/8"	113.1	128.2	148.2	501.1
41S08	$\nabla$ 1/2"	113.1	128.2	148.2	501.1
61S06	$\nabla$ 3/8"	144.1	155.5	194.5	544.2
61S08	$\nabla$ 1/2"	144.1	155.5	194.5	544.2
81S06	$\nabla$ 3/8"	194.9	206.3	245.3	594.2
81S08	$\nabla$ 1/2"	194.9	206.3	245.3	594.2

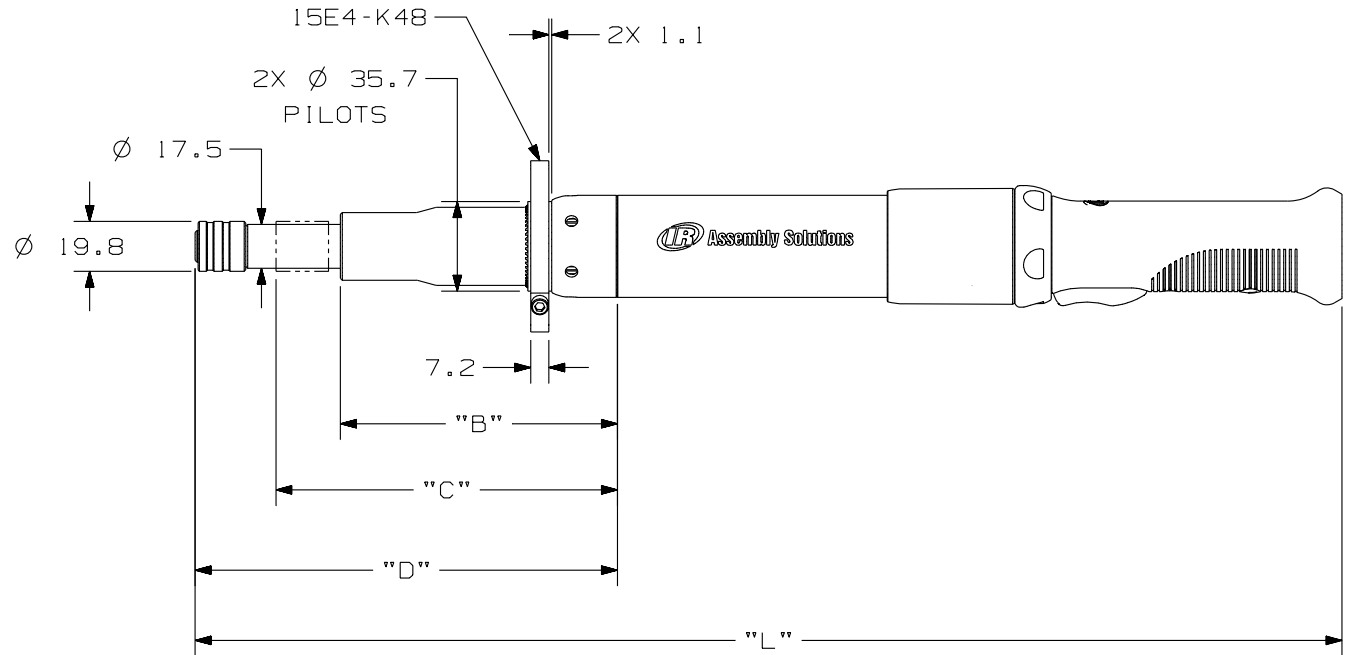
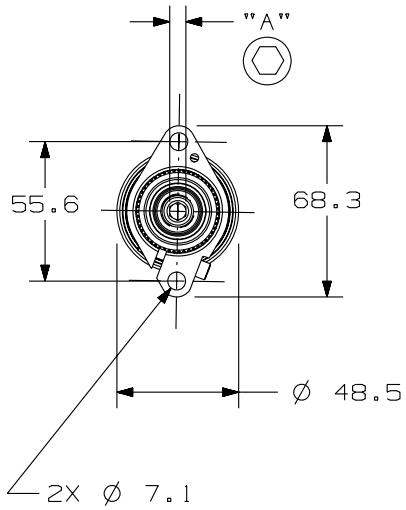


$\nabla$  INCH DIMENSION

80119423\_E-SH2

QE4ST010B| 1004  
 QE4ST015B| 1004  
 QE4ST020B| 1004  
 QE4ST025B| 1004

REF. NO.	"A" 	"B"	"C"	"D"	"L"
21004	 1/4"	71.0	101.4	111.7	406.2
41004	 1/4"	104.8	138.9	162.7	457.2



 INCH DIMENSION

80102669\_C\_SH13